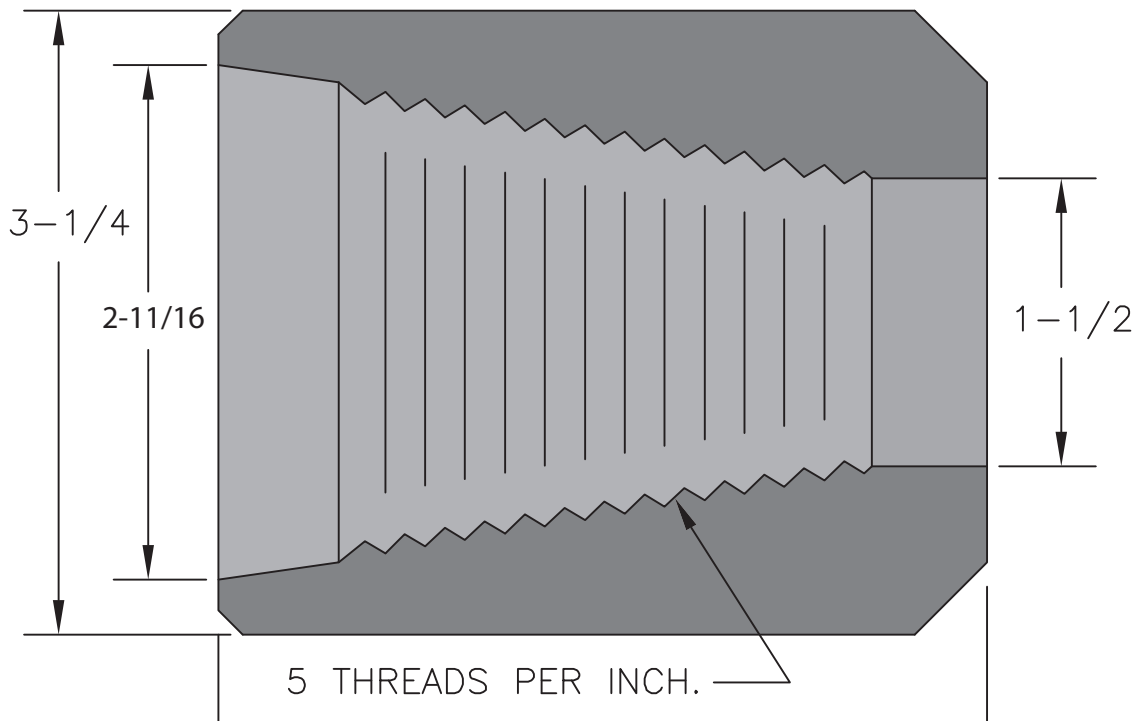
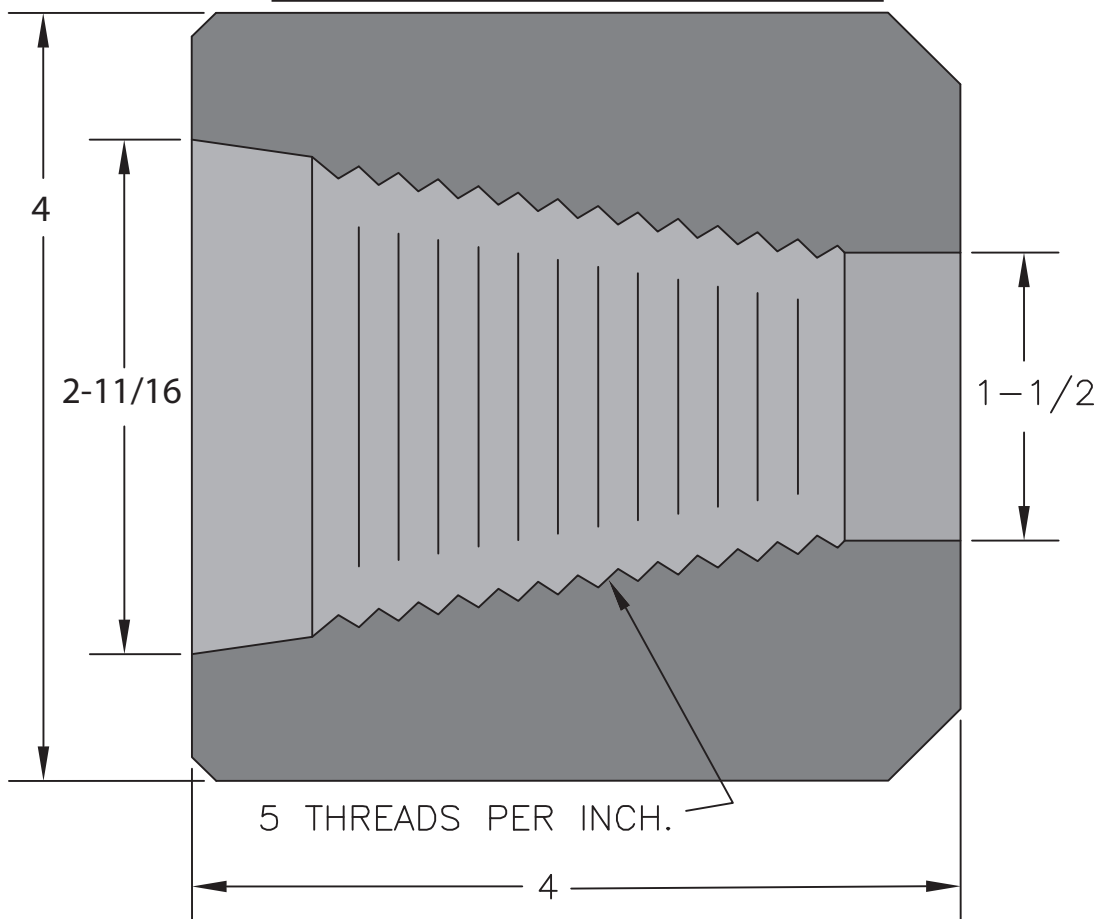


# API Box Blanks

## **2-3/8" API x 3-1/4" O.D.**

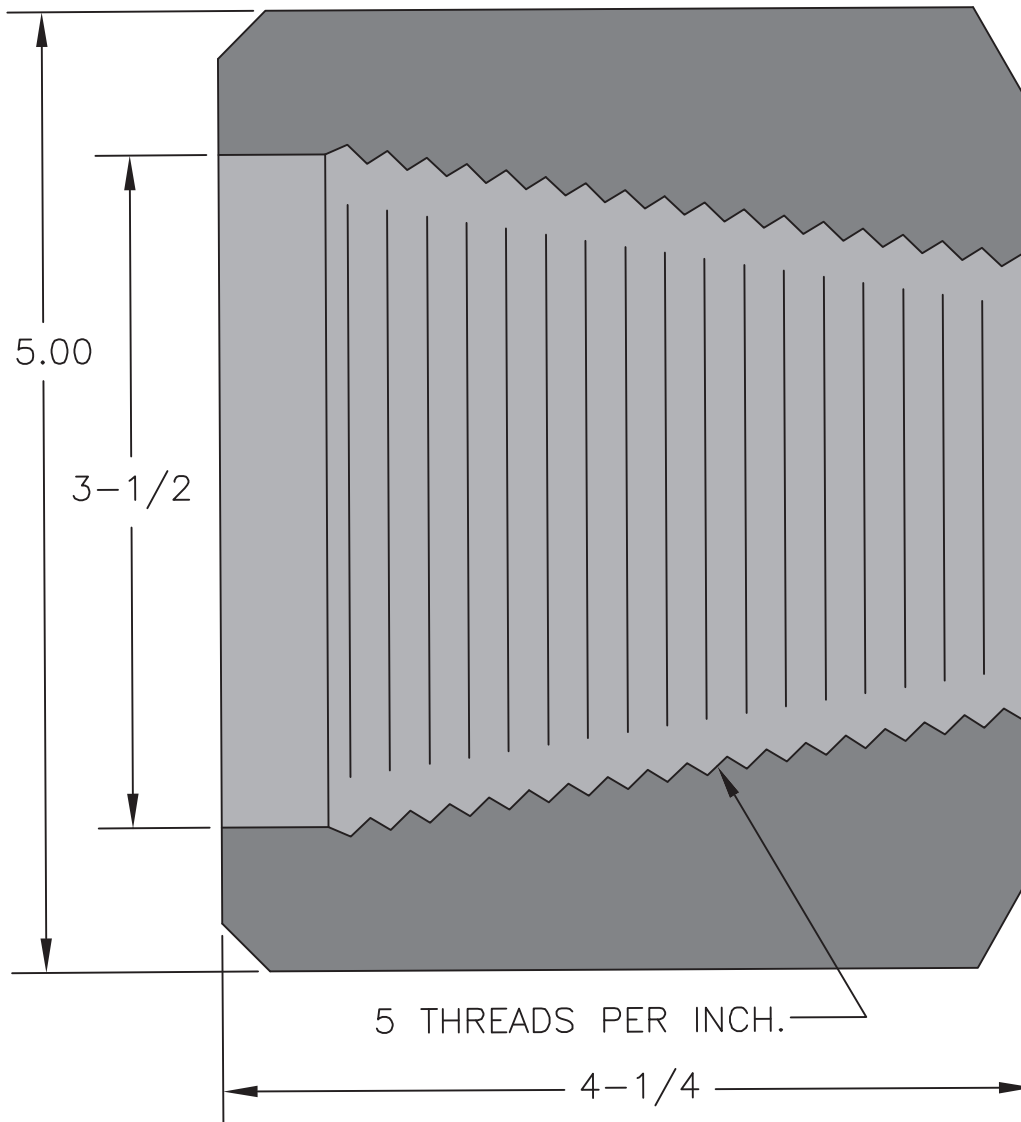


## **2-3/8" API x 4" O.D.**

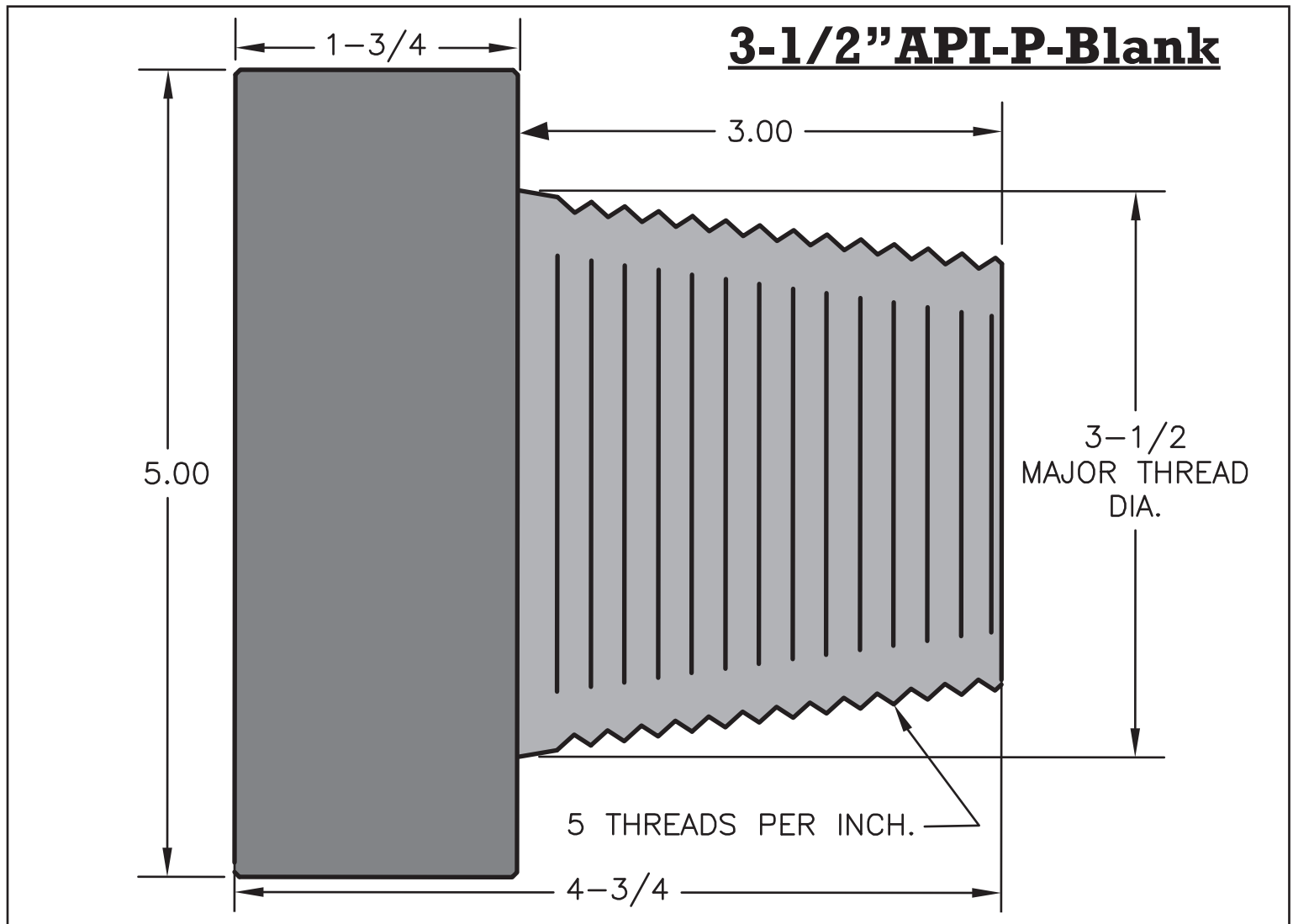
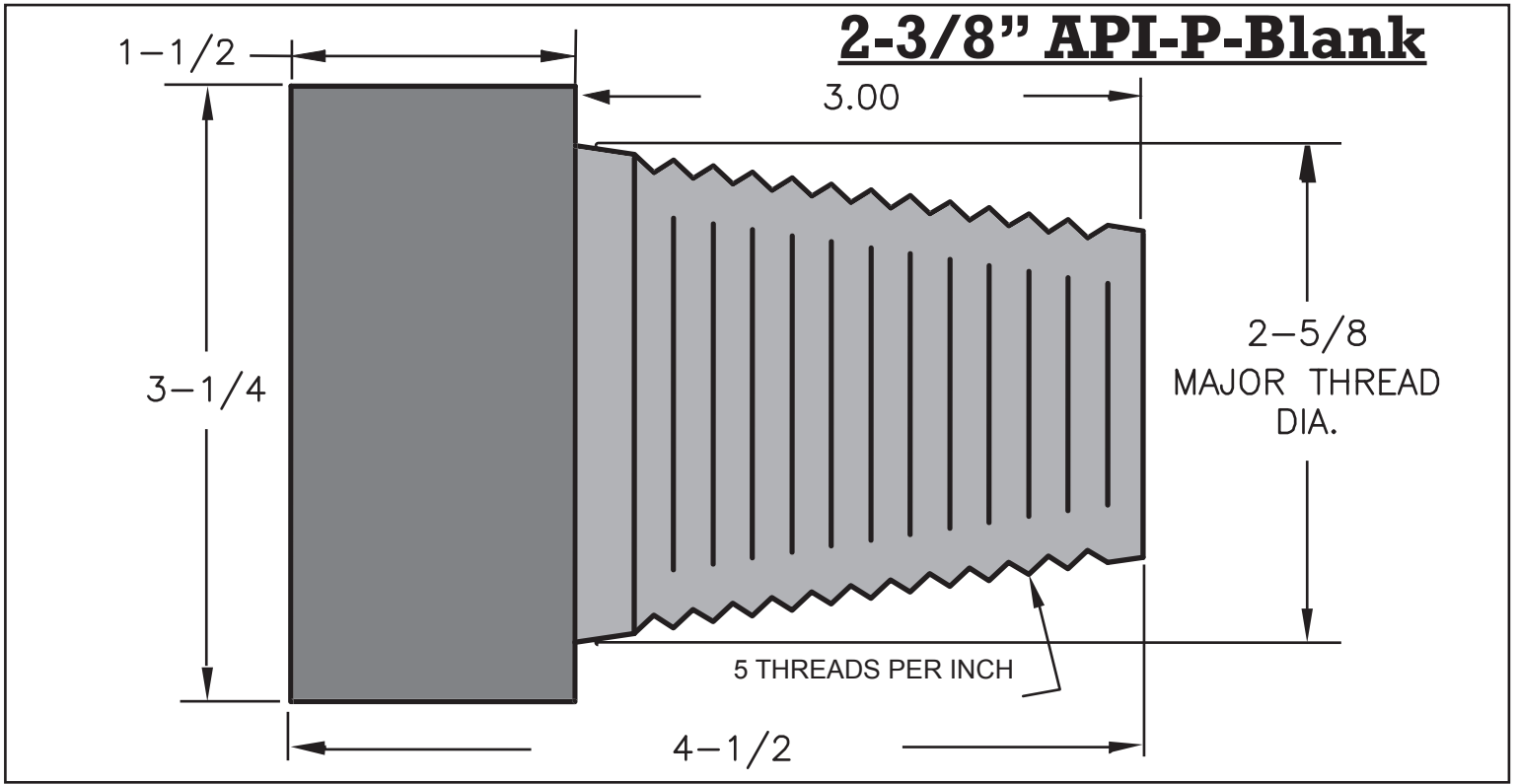


# API Box Blanks

## 3-1/2" API Reg



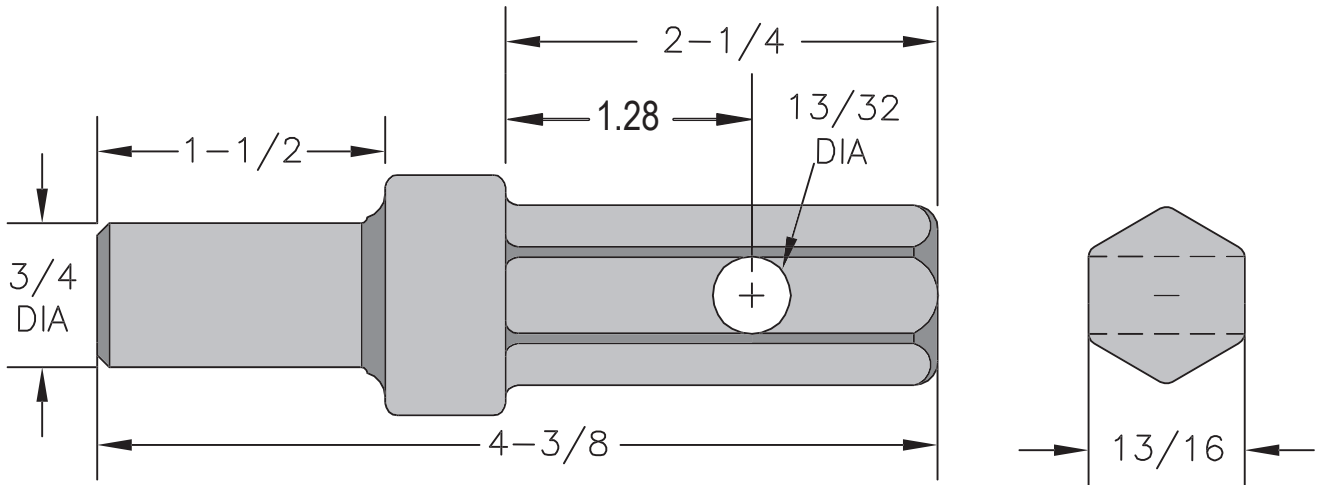
# API Pin Blanks



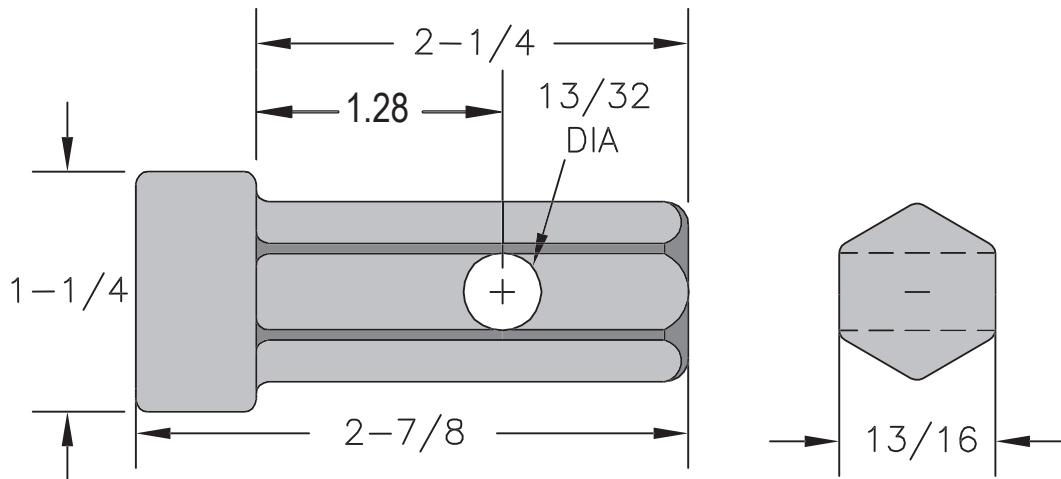


# 13/16 Hex Shanks

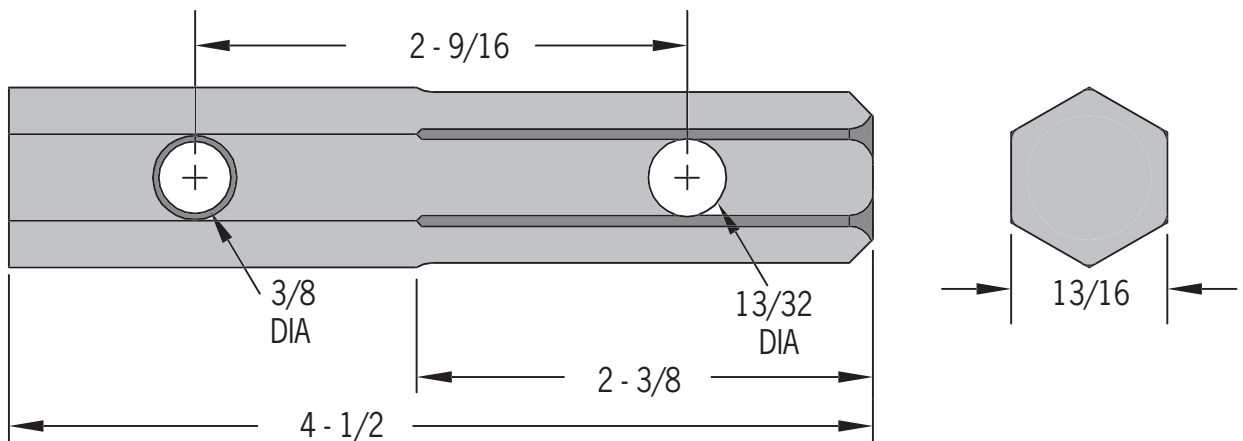
## 001336-I Shank



## 001336-B-I Shank to Blank

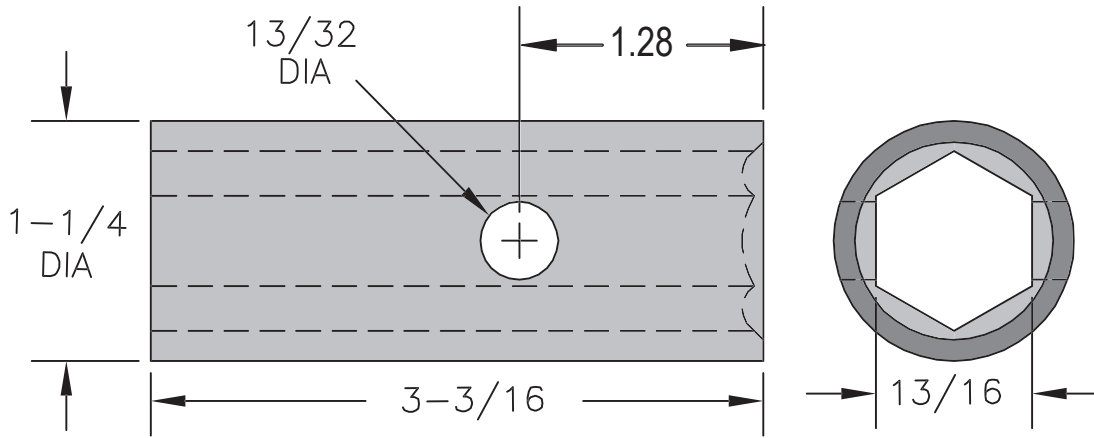


## 003997-I Shank Hex-Cor Auger

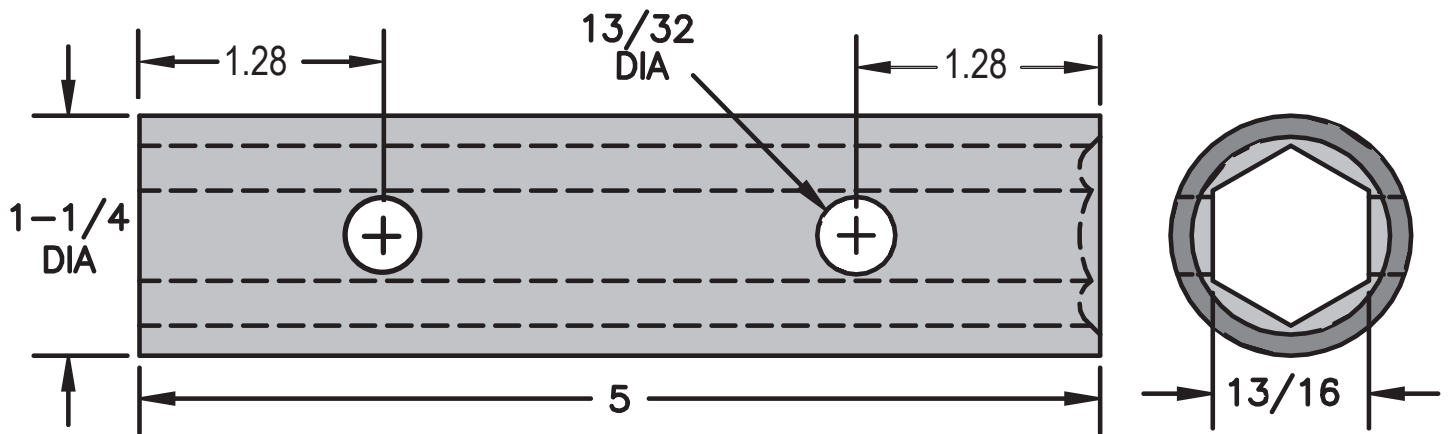


# 13/16 Hex Sockets

## Socket 001340

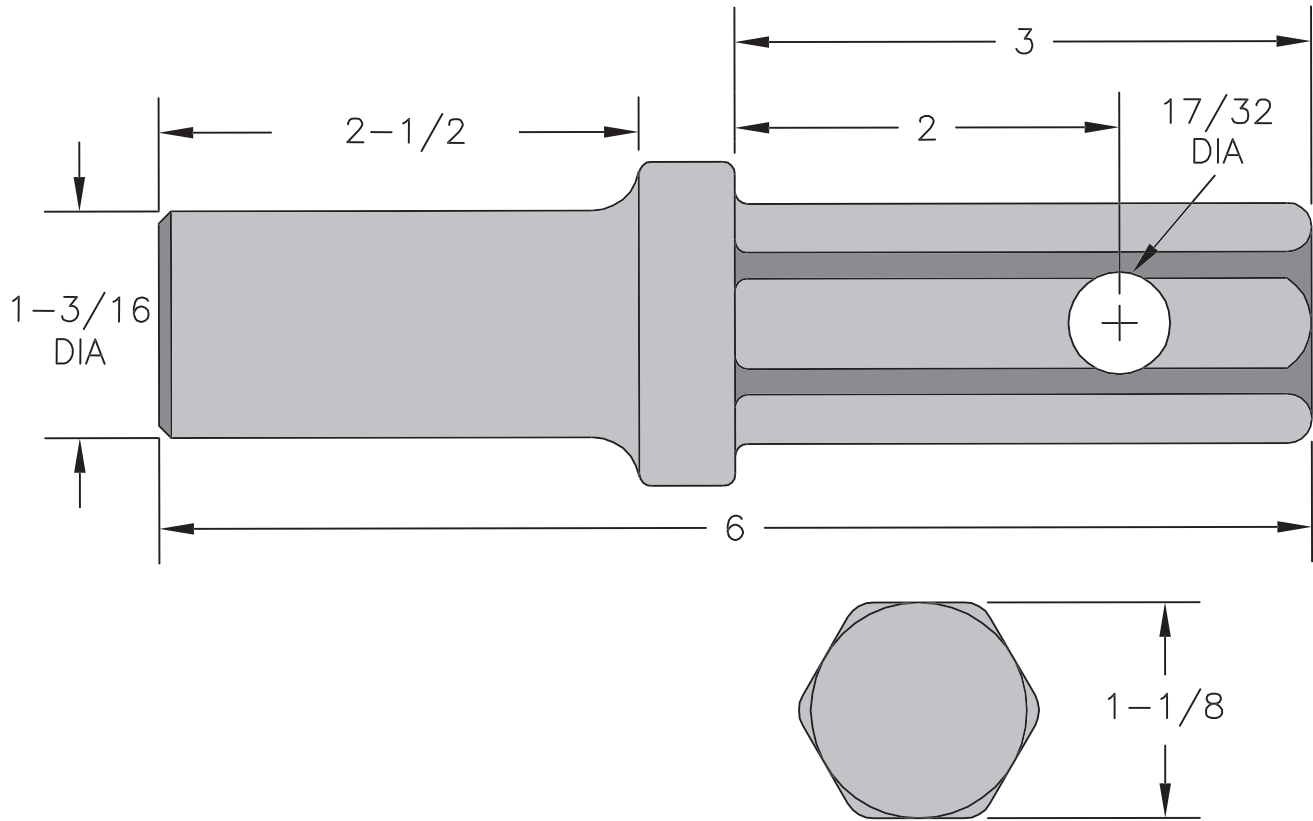


## Coupler 001340-C

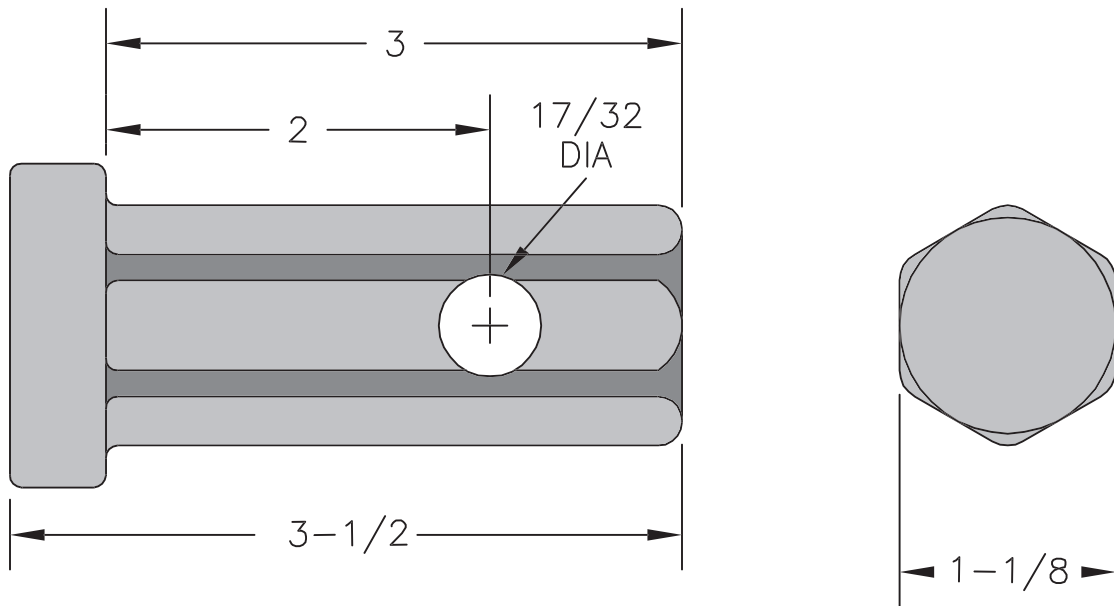


# 1-1/8 Hex Shanks

## 001337-I Shank

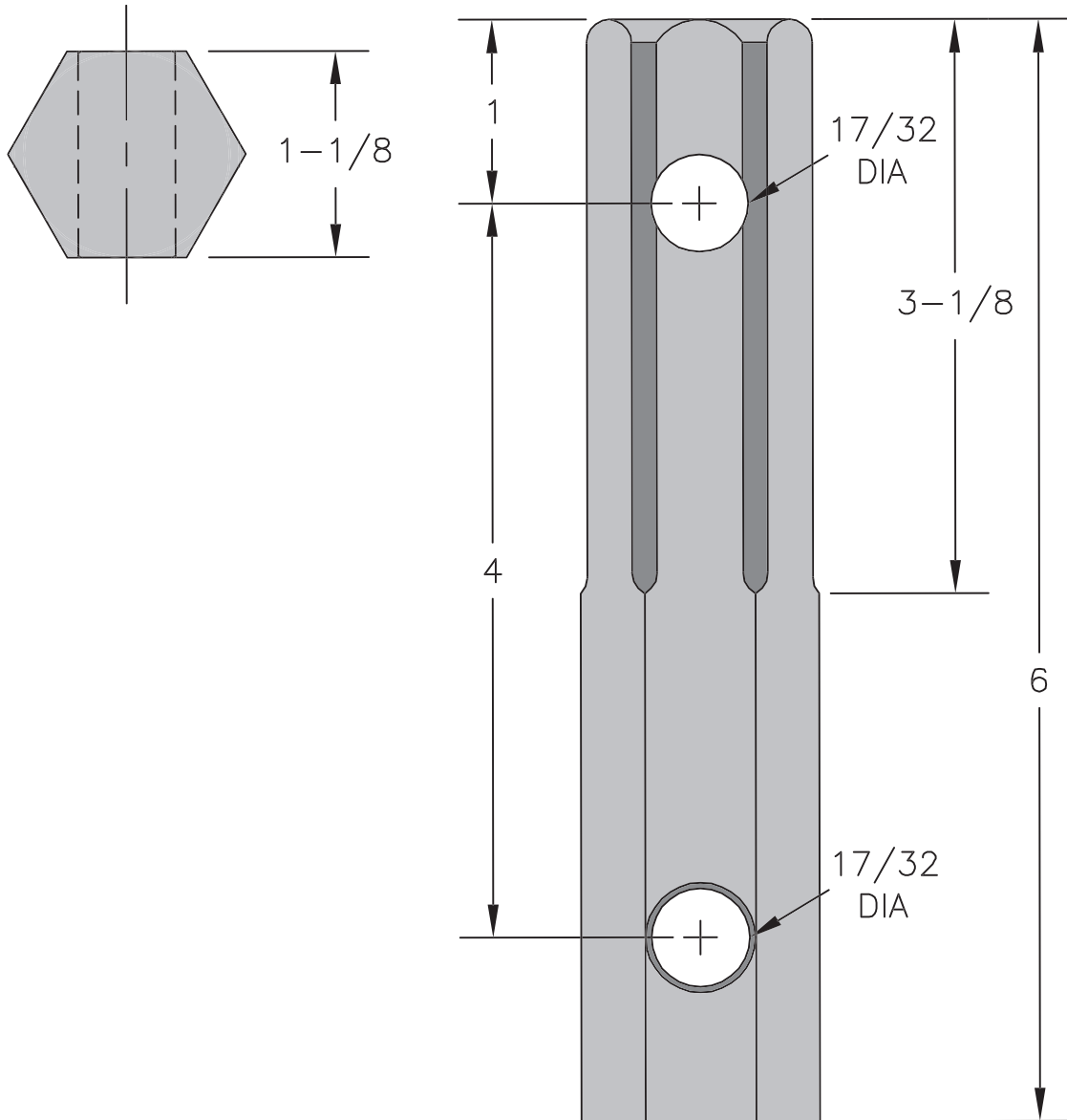


## 001337-B-I Shank to Blank



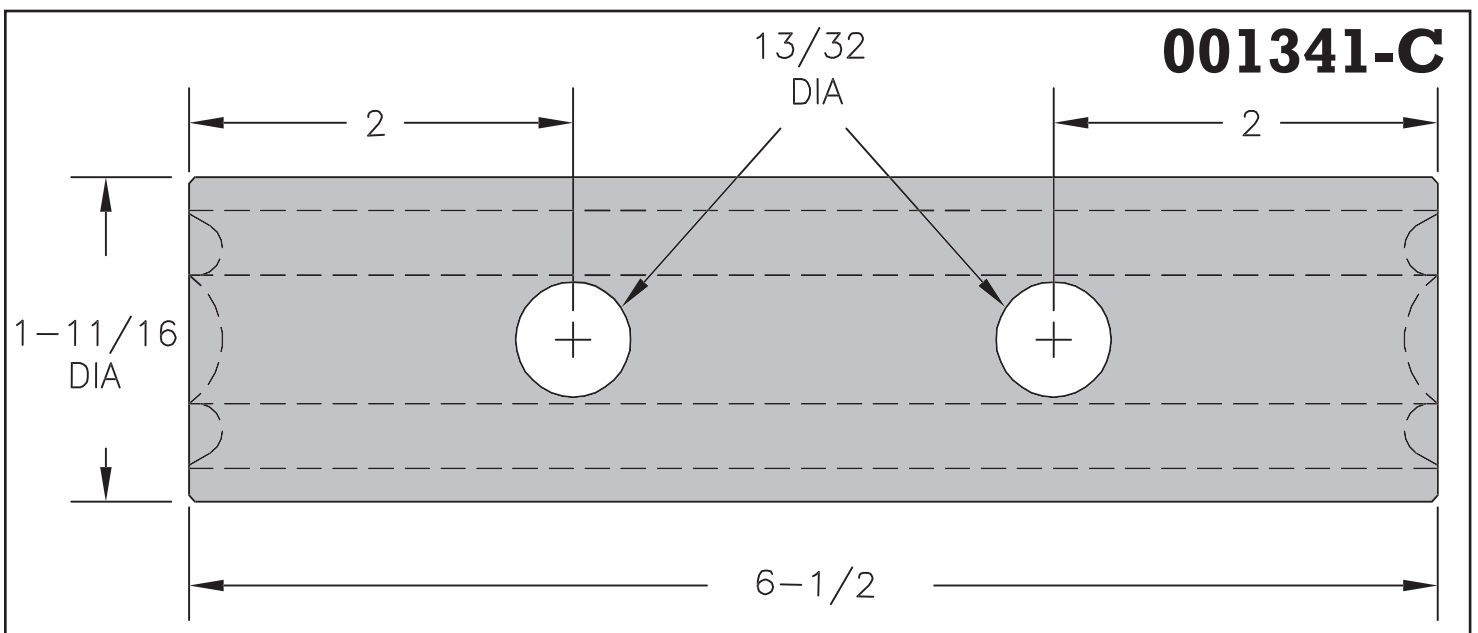
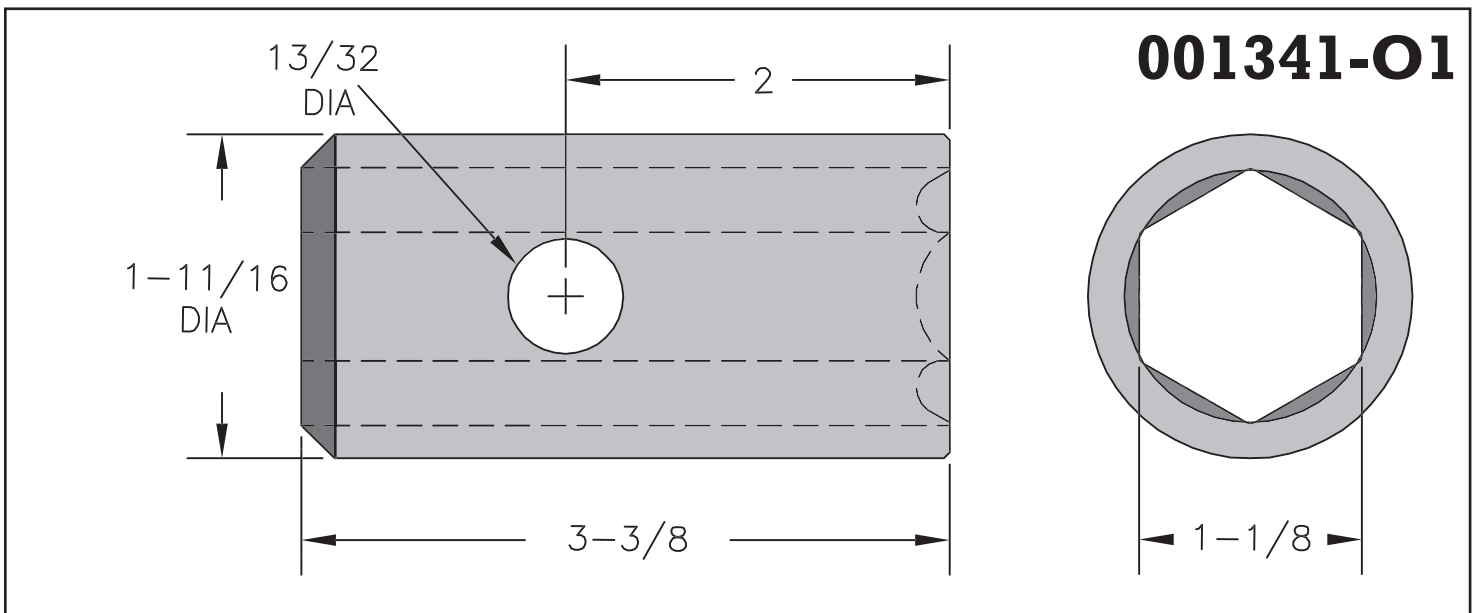
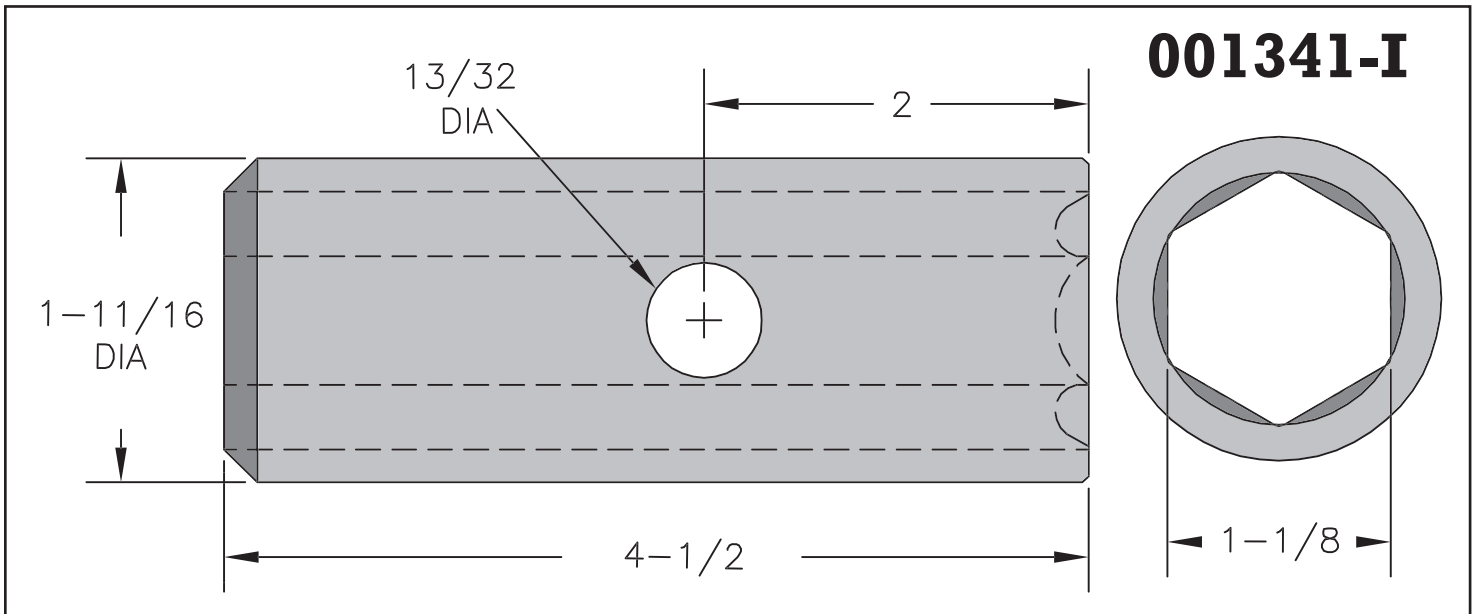
# 1-1/8 Hex Shank

## 003996-I Shank Hex-Cor Auger

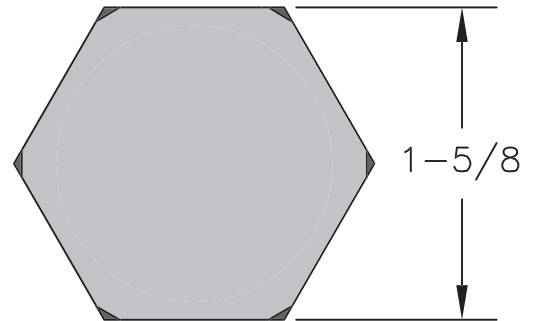
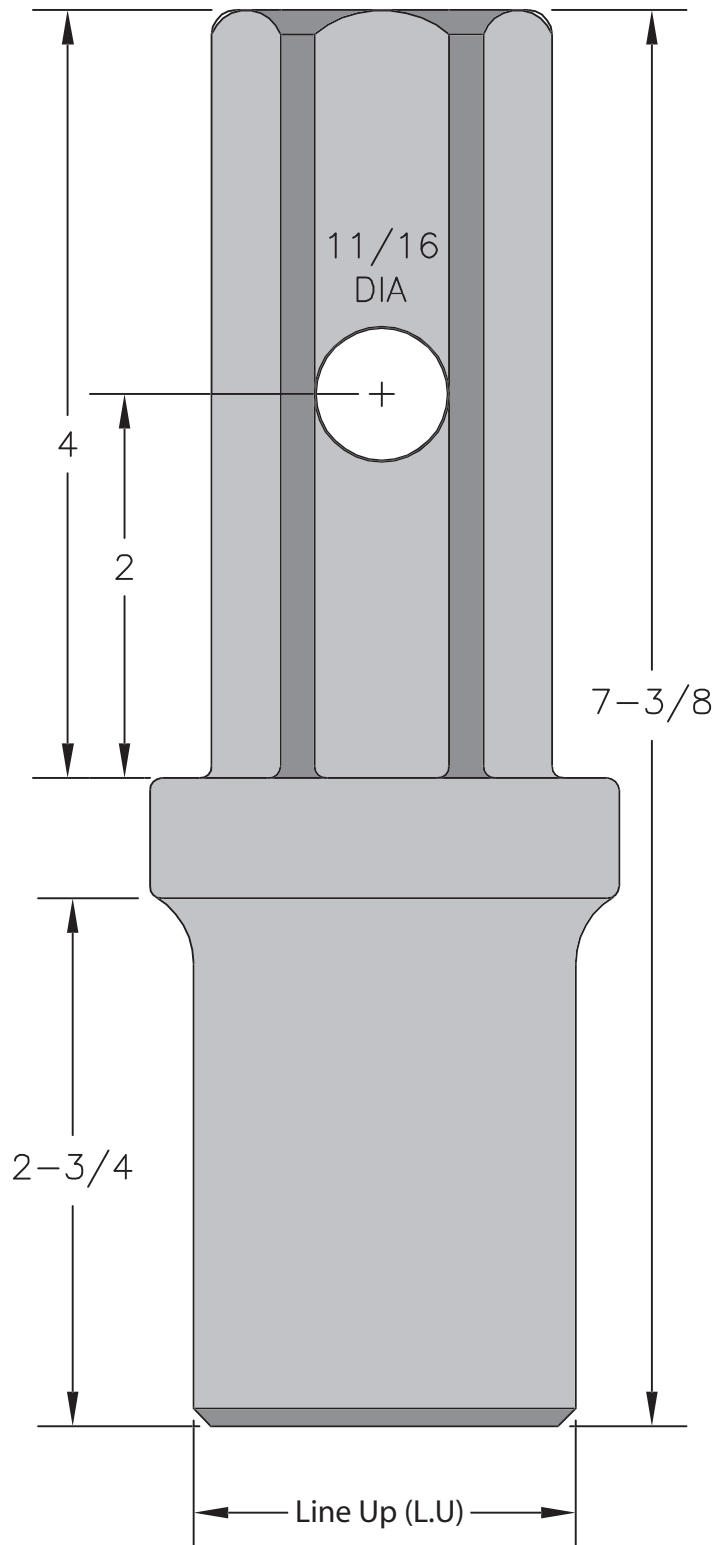




# 1-1/8 Hex Sockets



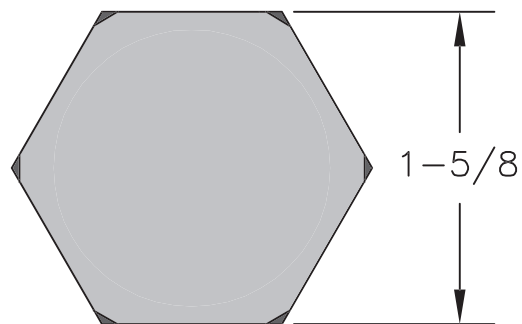
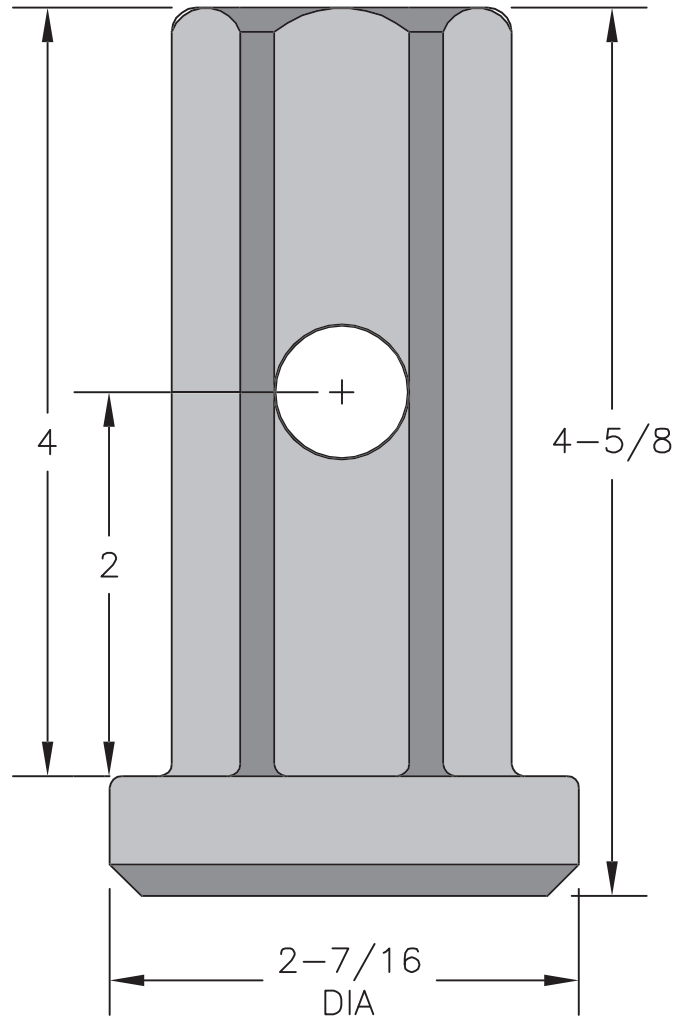
# 1-5/8 Hex Shanks



Part #	L.U.
150113-I	2"
150692-I	$2\frac{3}{8}$ "

# 1-5/8 Hex Shank

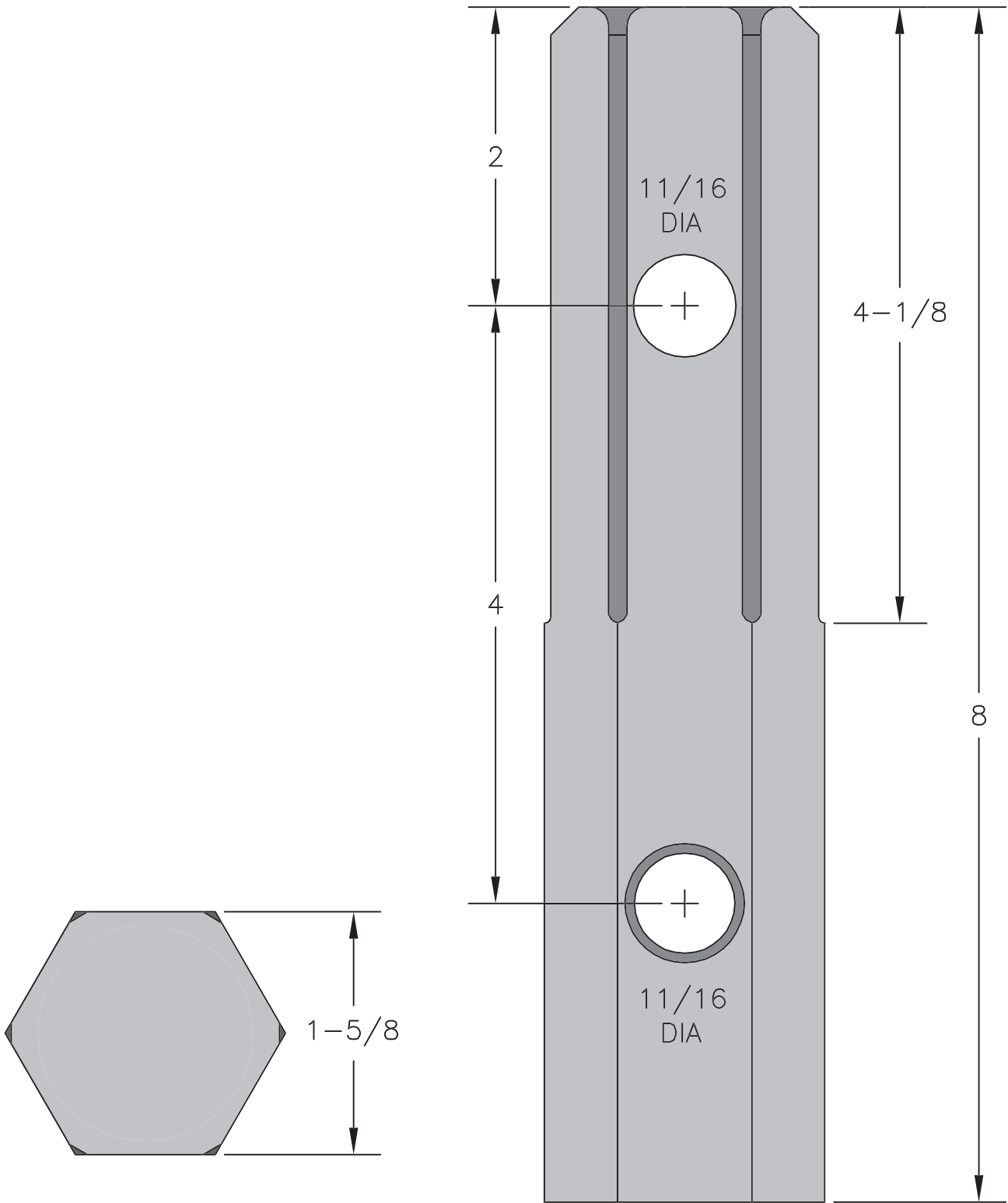
## Shank to Blank 150113-B-I



# 1-5/8 Hex Shank

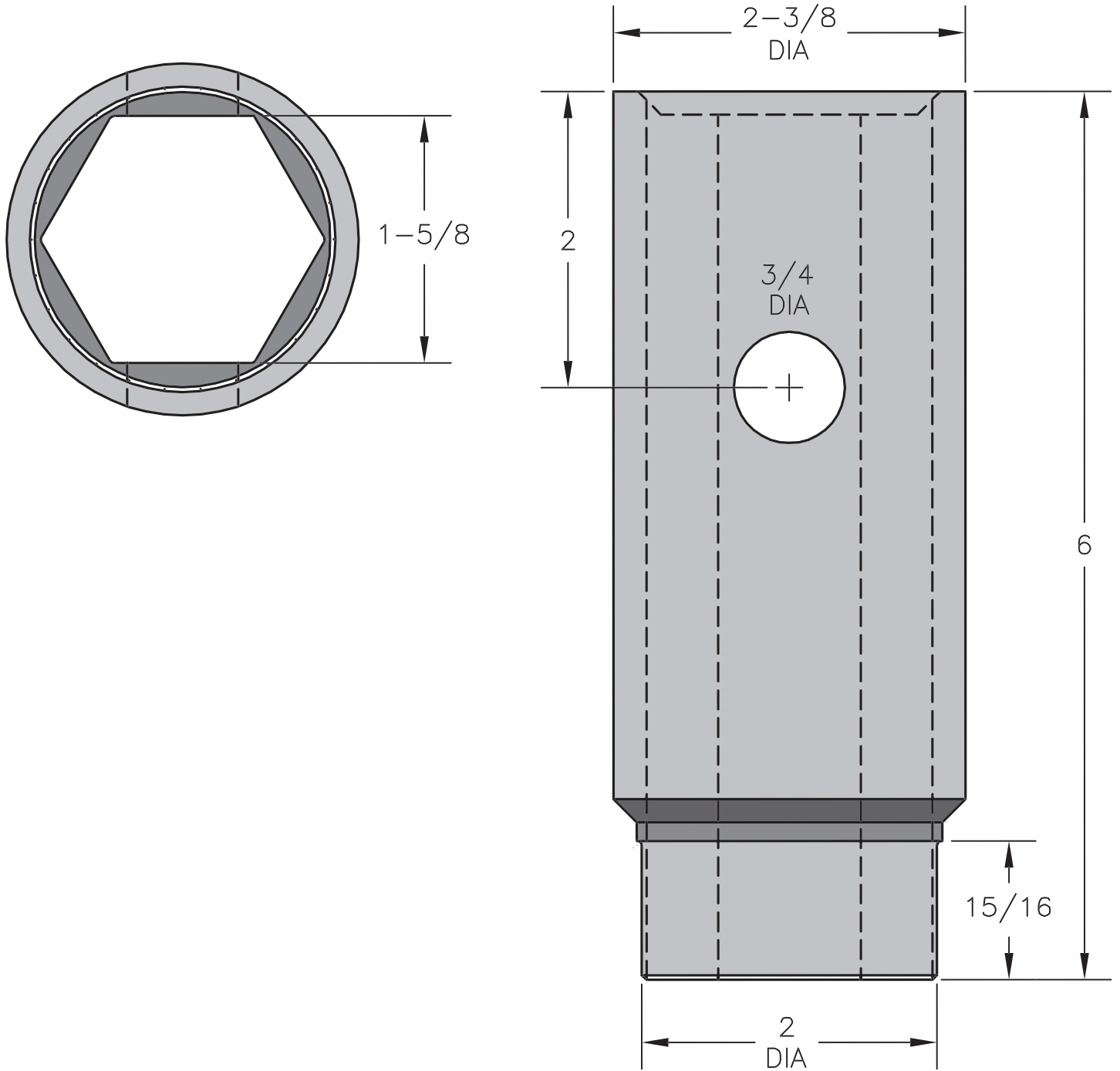
## Shank (Hex-Cor Auger)

003995-I



# 1-5/8 Hex Socket

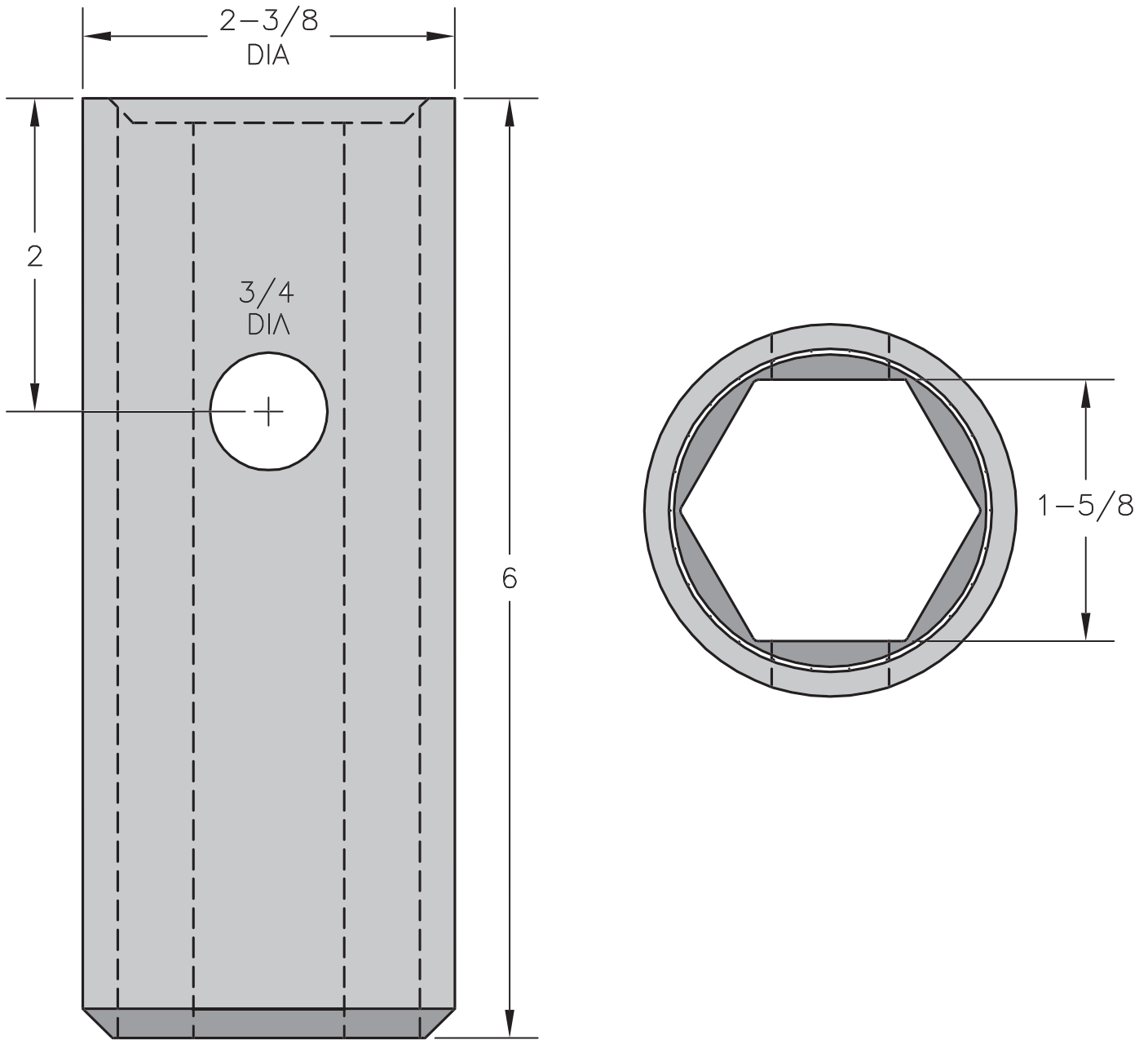
## 150324-I



Used for Repair of 2000 Series Continuous Flight Augers

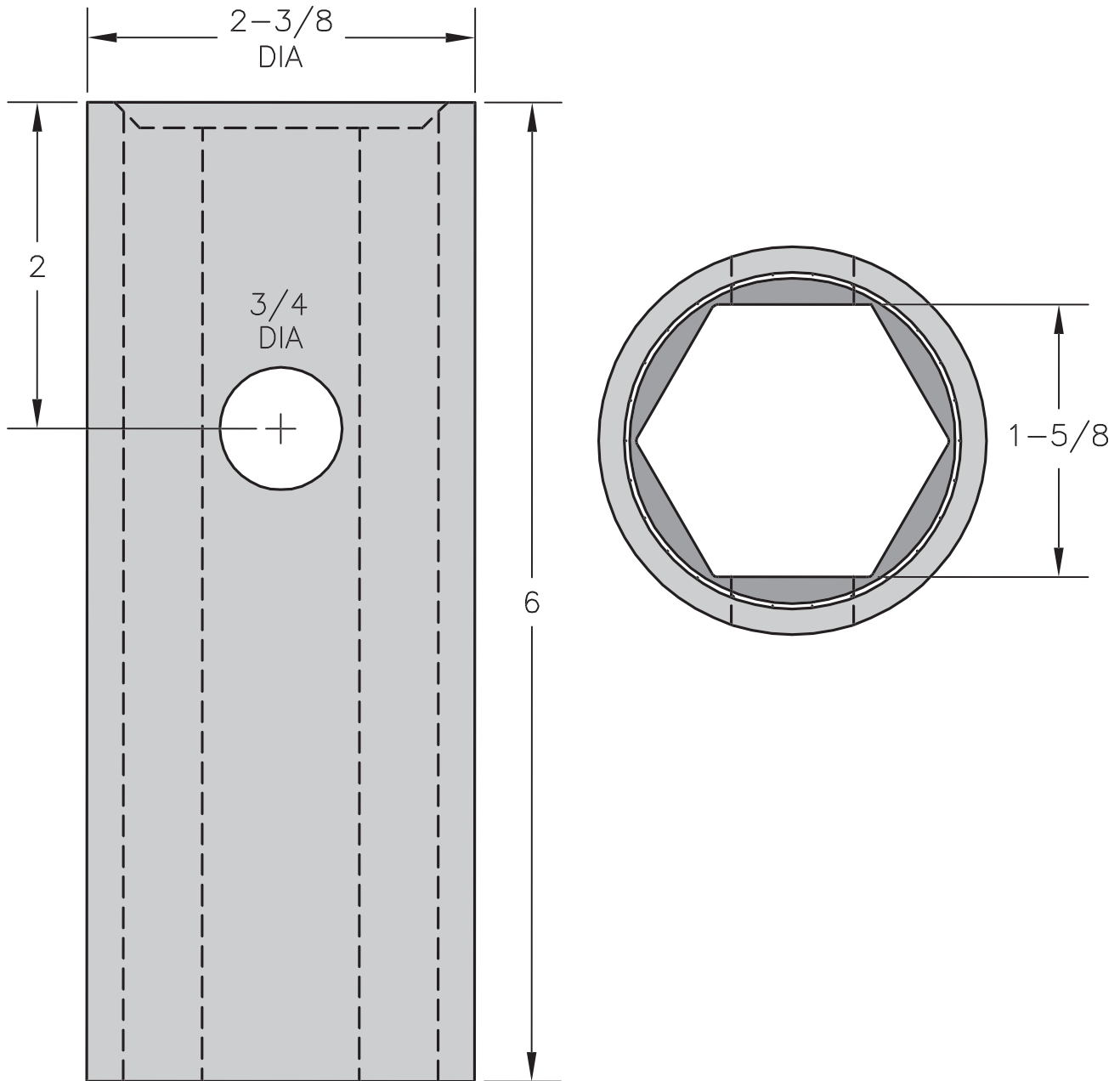
# 1-5/8 Hex Socket

## 150324-B-I



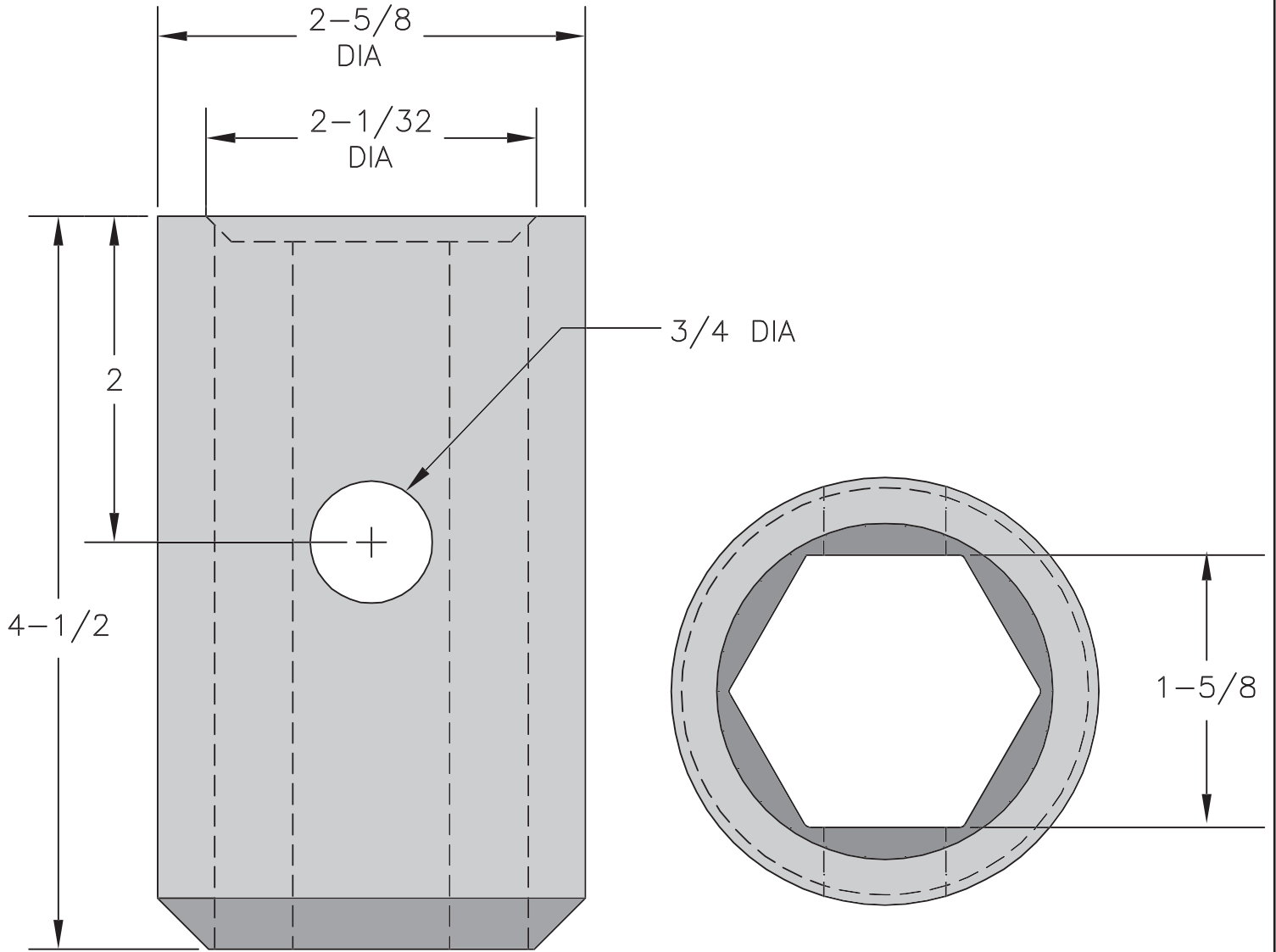
# 1-5/8 Hex Socket

**150324-F-I**



# 1-5/8 Hex Socket

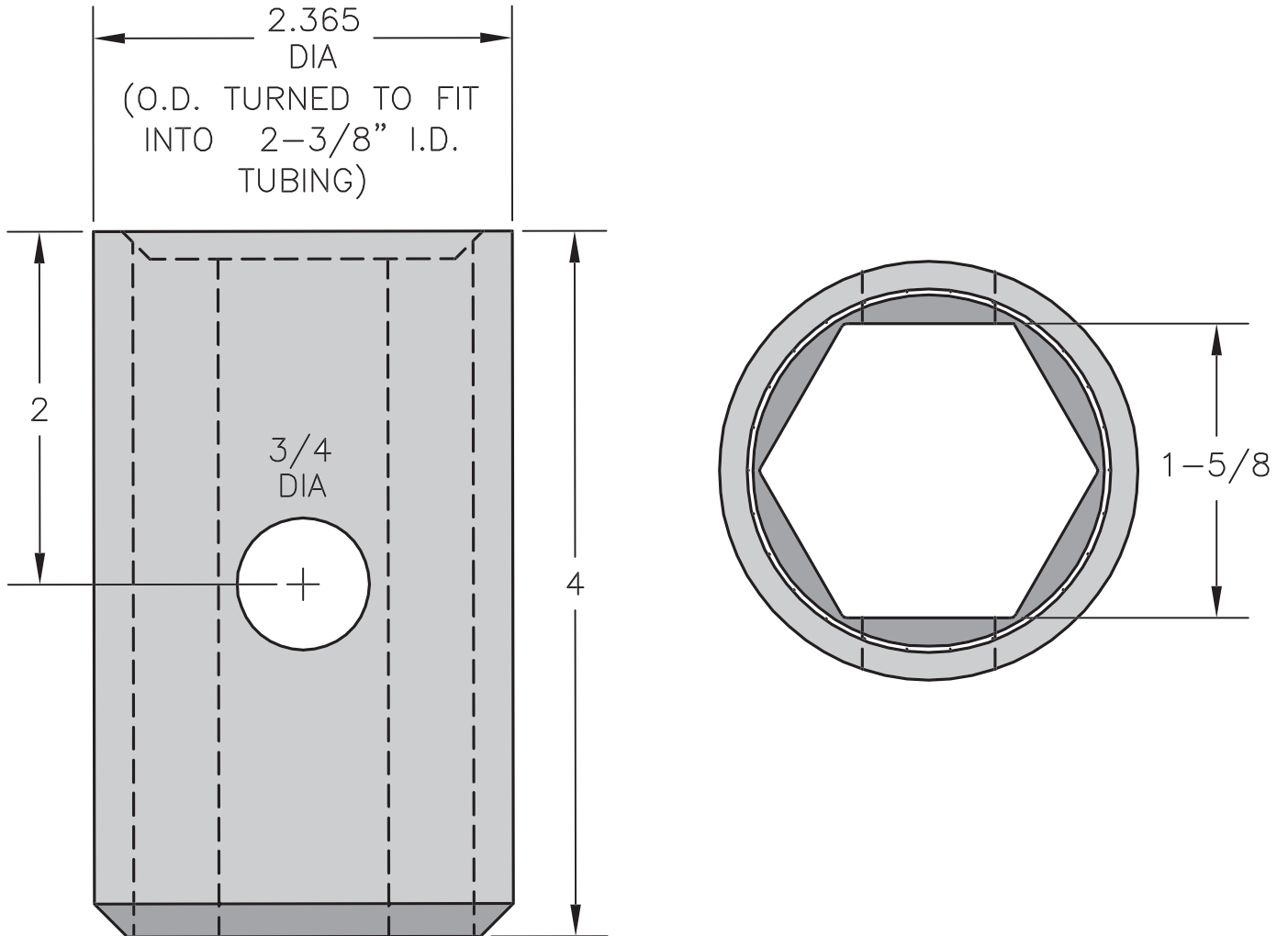
## 150324-HD-I





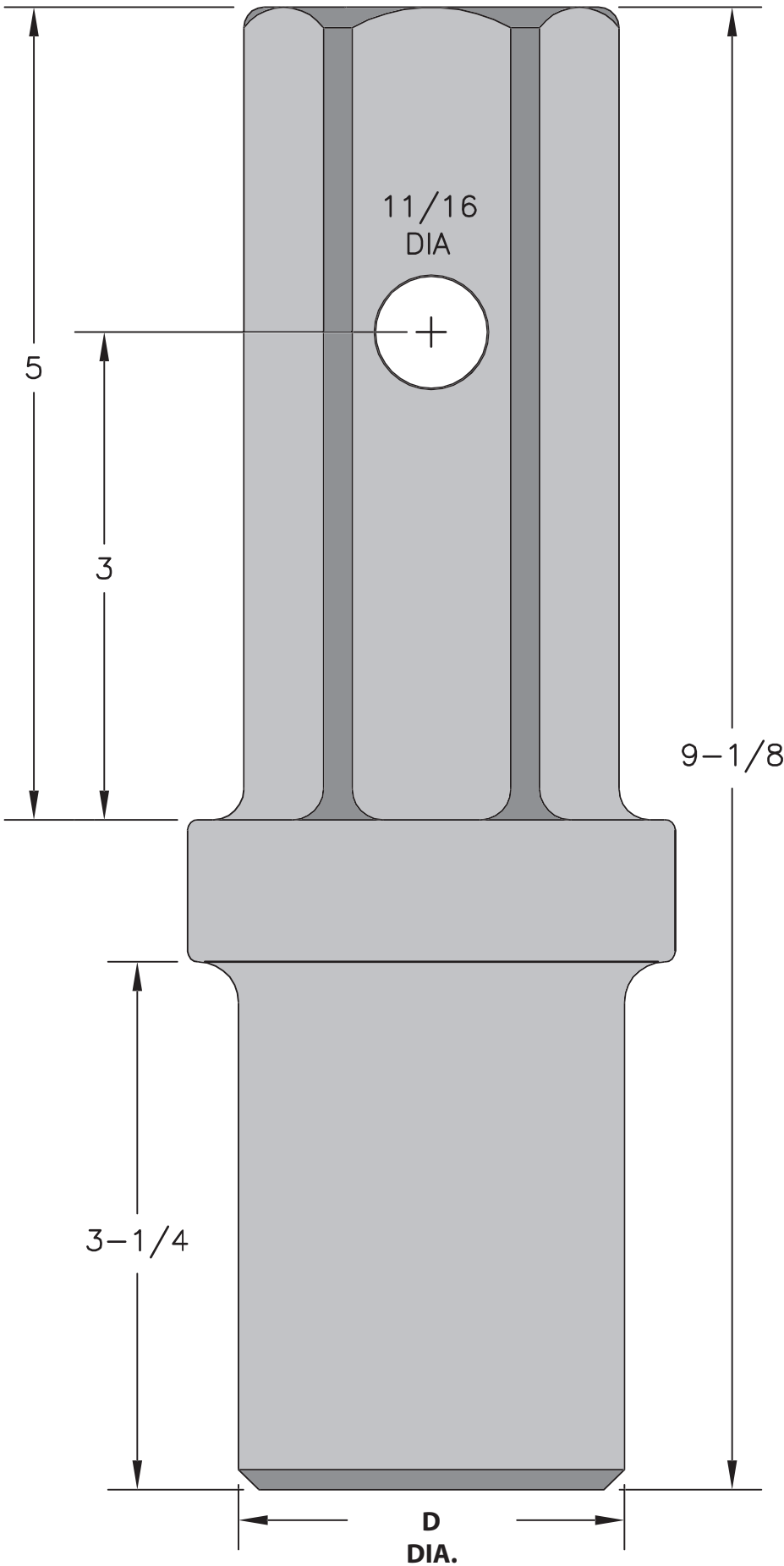
# 1-5/8 Hex Socket

## 150507



Used for Repair of 2875 Series Continuous Flight Augers

# 2" Hex Shank



Part #	L.U.
005646-I	2 3/8"
003479-I	2"
003479-00-I	2 5/8" *

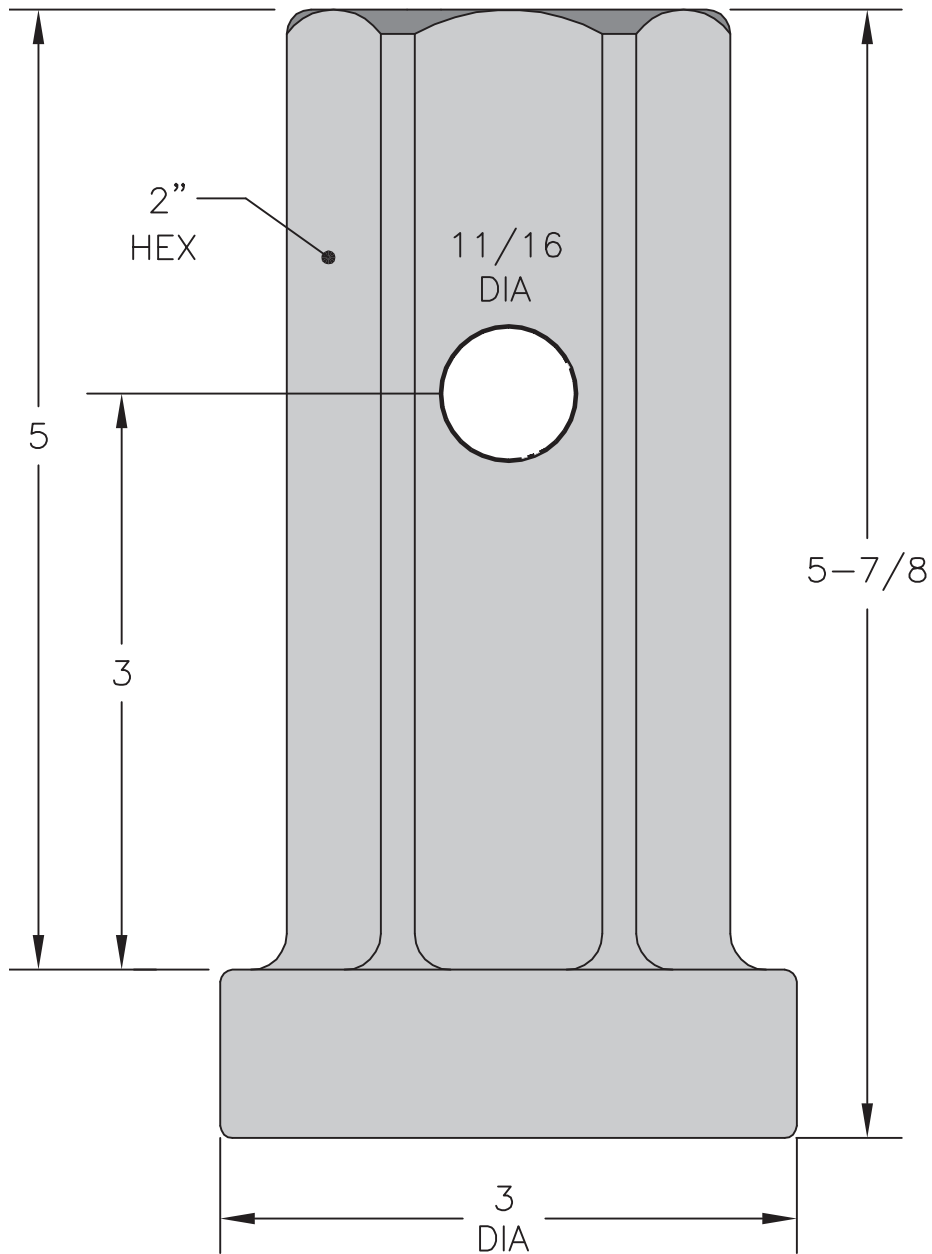
\* as Forgerd (not turned)

 – Most Popular

# 2" Hex Shank Blank

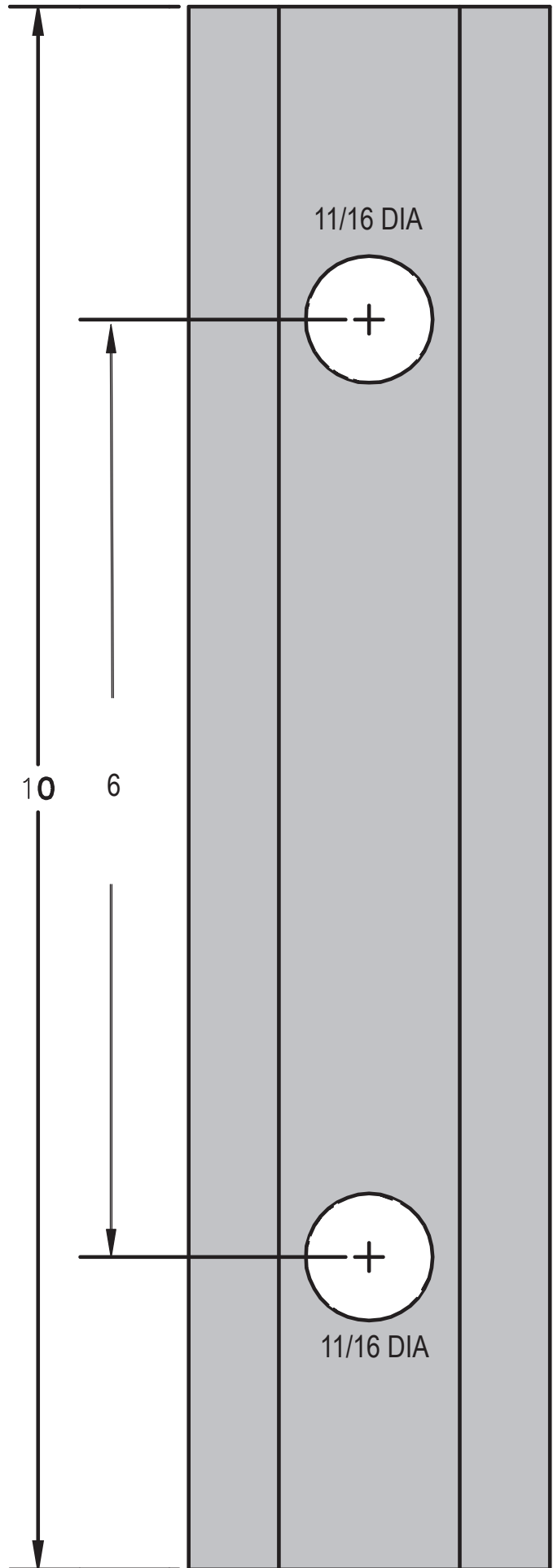
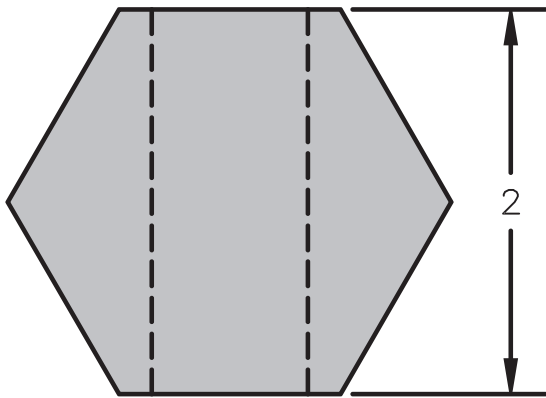
003479-B-I

Blank



# 2" Hex Shank (2 hole)

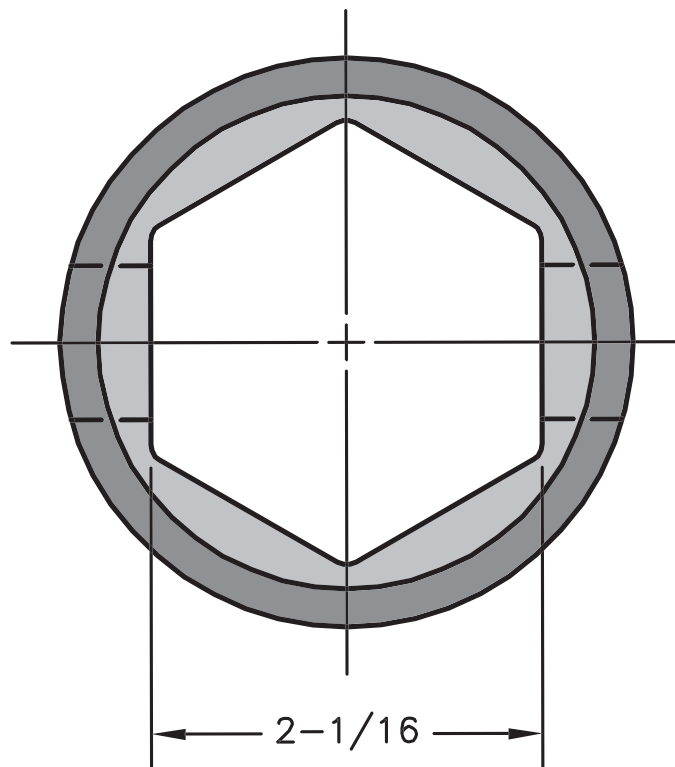
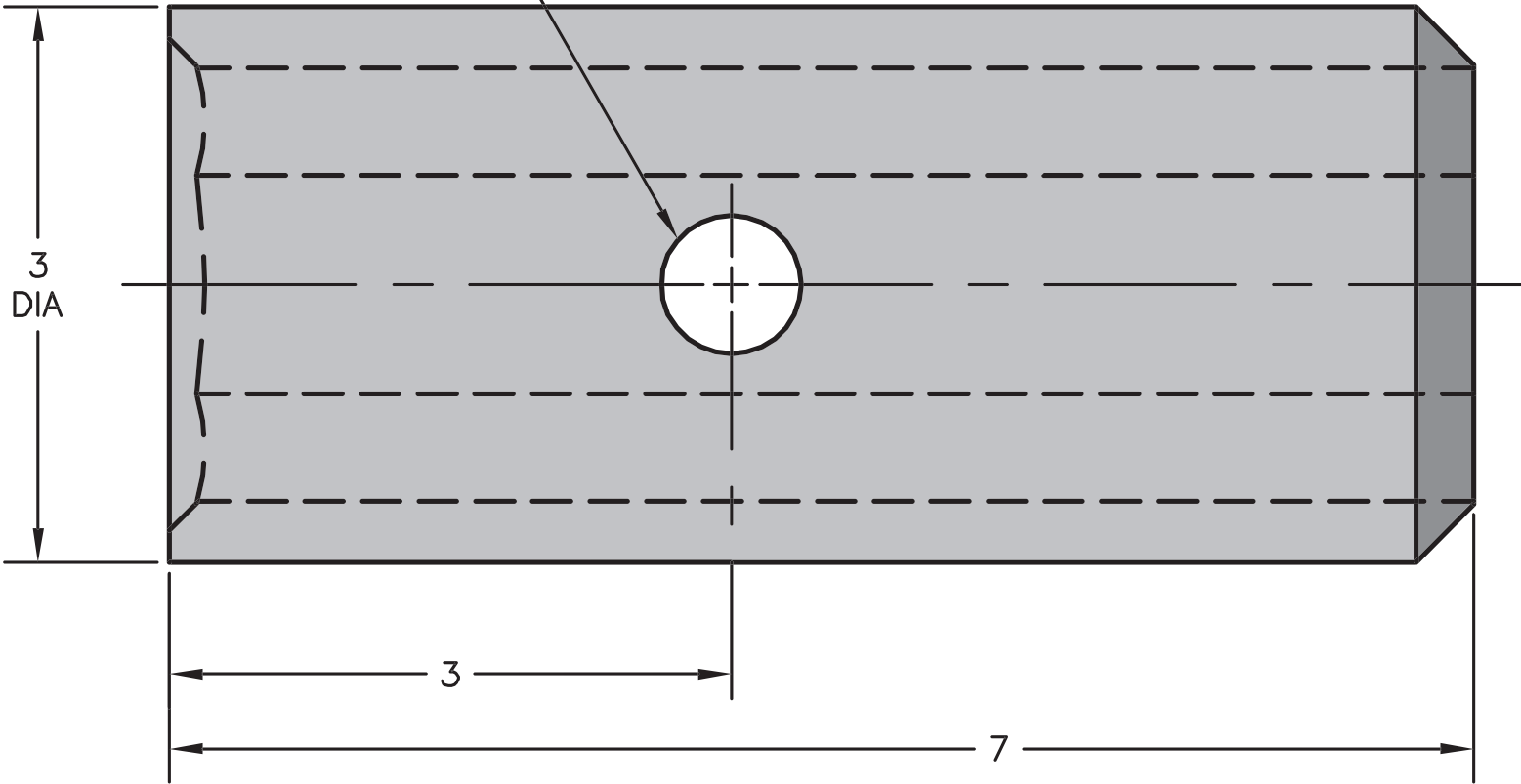
**2"X 10" HS**



# 2" Hex Socket

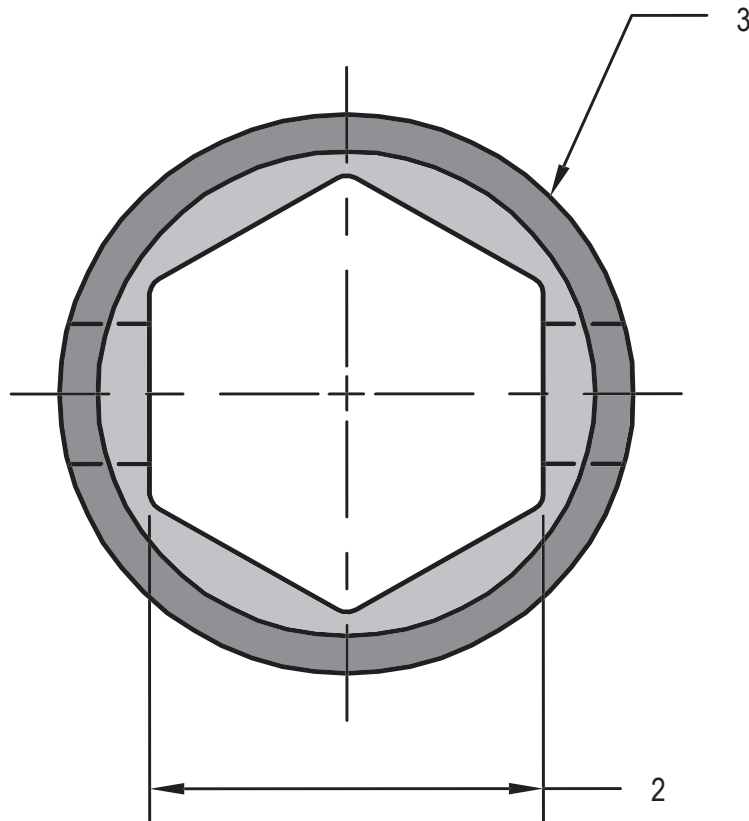
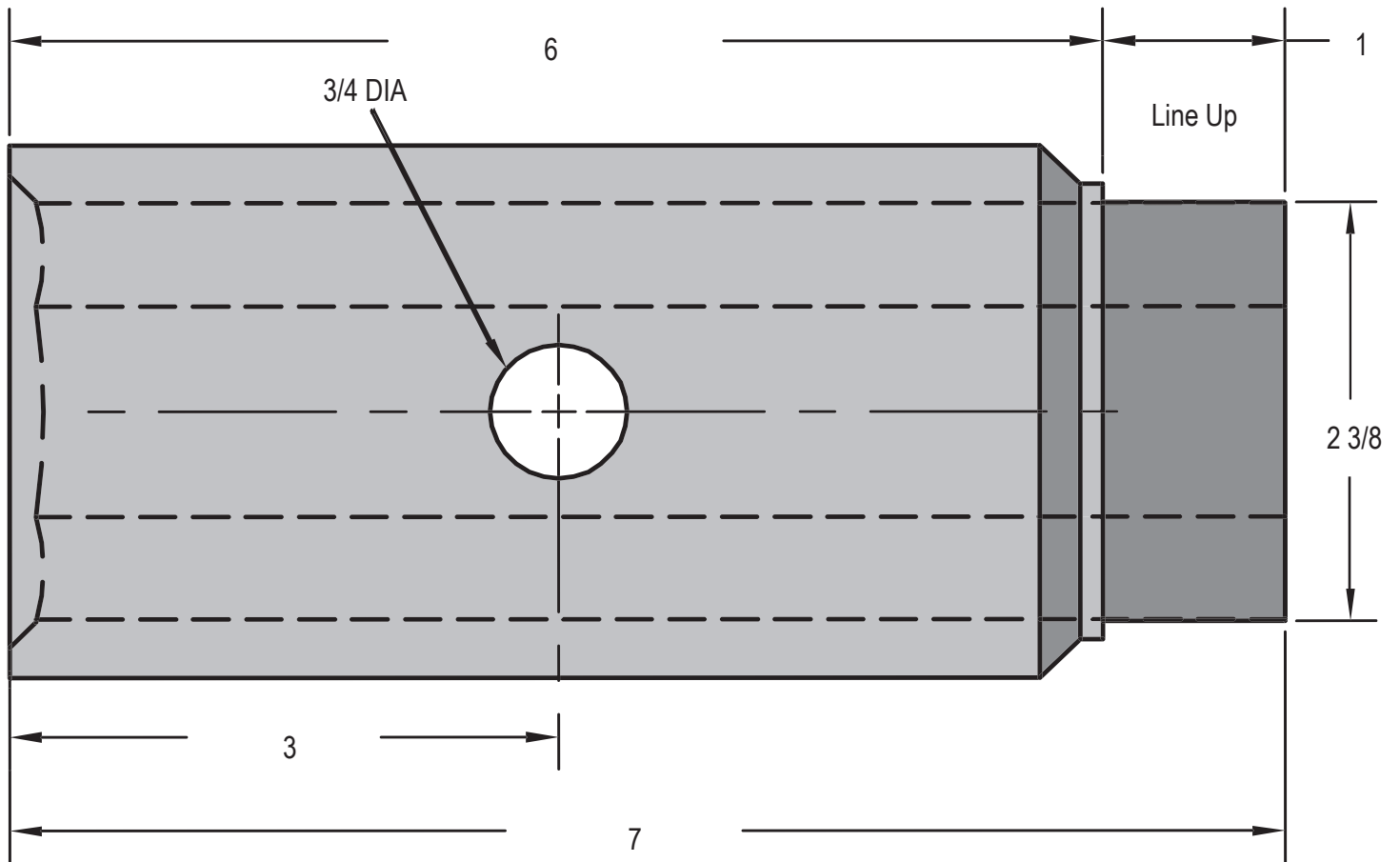
## 003478-I

3/4  
DIA

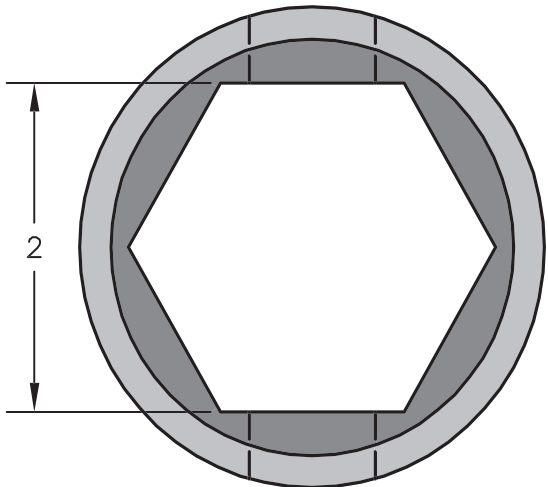
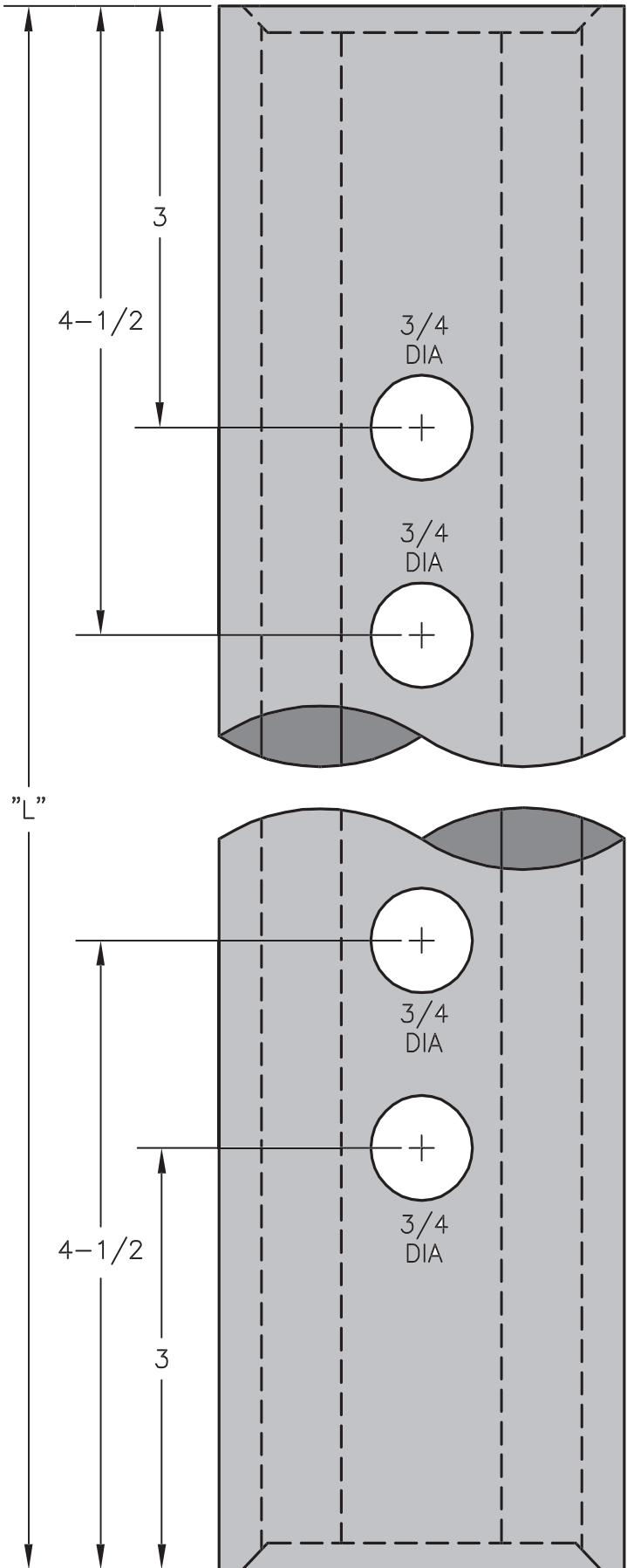


# 2" Hex Socket

## 003478-01



# 2" Hex Coupler



Part #	L= Length
H2C-12	12"
H2C-24	24"
H2C-36	36"
H2C-48	48"
H2C-60	60"

# Terms and Conditions

**1. Delivery.** Except as specified otherwise in the Quotation, Proforma Invoice, or Acknowledgement, delivery shall be F.O.B. Seller's point of manufacture with all transportation charges being the Buyer's responsibility. Buyer assumes all risk of loss or damage to goods in transit. Seller will use its best efforts to make deliveries as scheduled, but delivery dates are approximate only and based on normal plant operation. Seller shall not be liable to Buyer for any damages which Buyer may claim are caused by late delivery. Free Freight applies ask for details.

**2. Taxes.** Prices are exclusive of all taxes and duties, however designated, including sales, use, property, import and excise taxes (but excluding taxes on Seller's net income). These taxes and other taxes measured in whole or part by gross receipts applicable to this transaction shall be borne by Buyer. If Buyer claims exemption from any of these taxes, Buyer shall promptly furnish satisfactory proof of exemption.

**3. Payment Terms.** Payment shall be Net Due before shipment unless otherwise specified on the front or agreed to in writing. Visa, M/C, 2% 10 days, and Net 30 accepted. All deposits are non-refundable. Overdue payments shall bear interest at the rate of 1-1/2% per month or the maximum rate permitted by law. If Buyer requests Seller to hold goods, other than stock items, for the later delivery, the invoice will be dated on the scheduled delivery date and payment will be due as if shipment had been made on the scheduled delivery date. Buyer shall assume all risk of loss or damage while goods held for later delivery are in the possession of Seller, and shall pay reasonable storage charges if such goods are stored by Seller for a period exceeding two months, and shall reimburse Seller for all use or personal property taxes levied at any time while said goods remain in Seller's possession. If the financial responsibility of Buyer becomes impaired or unsatisfactory in Seller's judgment or if Buyer becomes in default to Seller under any contract, advance cash payment or satisfactory security shall be given by Buyer upon demand by Seller, and shipments may be withheld until such payments due hereunder of for any damages of any type claimed by Buyer against Seller.

**4. Changes.** Seller assumes no responsibility for any changes to the specifications outlined in the original order, unless such changes are confirmed in writing by Buyer and accepted in writing by Seller. Any price variation resulting from such changes shall become effective immediately upon the acceptance of such changes. Seller assumes no responsibility for additional cost which result from changes made by Buyer in shipping or production schedules if such changes cause an increase in Seller's cost or in the time of performance of this order, unless such changes are confirmed in writing by the Buyer and accepted in writing by the Seller. Additional cost arising from changes which have not been accepted in writing by the Seller will be claimed against the Buyer. Such claim is to be payable by Buyer upon presentation.

**5. Buyer Notification.** Within 10 days after tender of delivery to or receipt by Buyer of any shipment, Buyer shall inform Seller in writing if the goods are found defective or short in any respect. Failure to so inform Seller of use of the goods, delivered hereunder shall constitute conclusive evidence that Seller has satisfactorily performed and Buyer waives any right to reject such goods thereafter

**6. Inspection and Tests.** Seller's products are inspected and, where practicable, submitted to Seller's standard tests at Seller's plant of manufacture before delivery. Buyer agrees to pay Seller reasonable additional charges for any additional tests which Buyer requires Seller to perform including any rests or inspections which Seller is required to perform in the presence of Buyer's agent or representative. In the event of any delay on Buyer's agent or representative. In the event of any delay on Buyer's part in attending such tests, after three days advance notice by Seller of the scheduled time of test, the test shall proceed in Buyer's absence and shall be deemed to have been in Buyer's presence.

**7. Shipping Weights.** Seller shall not be responsible for the accuracy of shipping weights. Such weights are correct only within the limits necessary for estimating freight.

**8. Force Majeure.** Seller shall not be responsible or liable for any loss, damage or delay caused or occasioned by acts of God, fire, strikes, civil or military authority, insurrection or riot, failure of a vendor to make timely delivery of materials, the requirements of any statute order of directive of any governmental authority or without limiting the generality of the foregoing, by any other cause which is unavoidable or beyond Seller's reasonable control.

DrillingWorld

1940 Fairway Dr. Unit J

San Leandro, CA 94577

(510) 895-1650 Fax (510) 895-8129

[www.drillingworld.com](http://www.drillingworld.com)

